

# 12-880TR Bridge Handle

with plugs, Polyamide

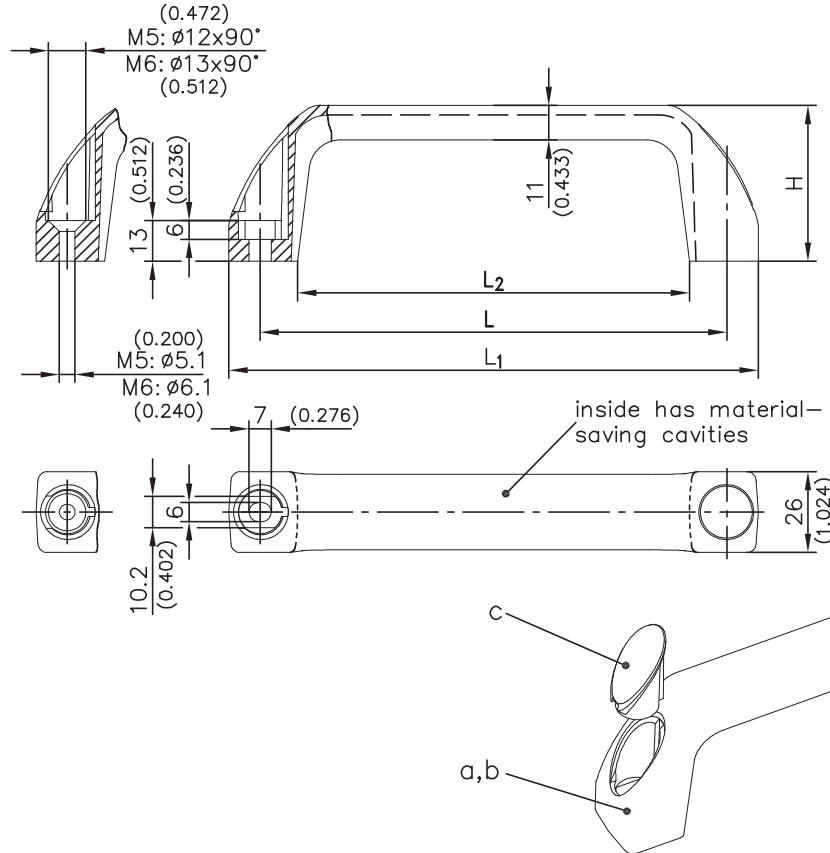


Polyamide handle, two sizes.

- Fastening by hex. socket head cap screws, or hex. screws or with countersunk screws.
- Plugs in different colors or with logo on request.

**Material:**

- **Bridge handle:** PA, black



		L/inch	L1/inch	L2/inch	H/inch	Part-No.	see main catalog C19
<b>a)</b>	<b>Polyamide handle complete, with 2 plugs</b>						
a1)	for hex. socket head cap screws / hex. screws	M6	150/5.906	170/6.693	126/4.961	50/1.969	213-9201
a2)	for countersunk screws	M5	150	170	126	50	213-9202
a3)	for hex. socket head cap screws / hex. screws	M6	122/4.803	142/5.591	98/3.543	50/1.969	213-9203
a4)	for countersunk screws	M5	122	142	98	50	213-9204
a5)	for countersunk screws	M6	122	142	98	50	213-9205
a6)	for hex. screws	M6	122	142	98	41/1.614	213-9206
a7)	for countersunk screws	M5	122	142	98	41	213-9207
<b>b)</b>	<b>Polyamide handle only (without plugs)</b>						
b1)	for hex. socket head cap screws / hex. screws	M6	150	170	126	50	213-0205.03
b2)	for countersunk screws	M5	150	170	126	50	213-0206.03
b3)	for hex. socket head cap screws / hex. screws	M6	122	142	98	50	213-0208.03
b4)	for countersunk screws	M5	122	142	98	50	213-0209.03
b5)	for countersunk screws	M6	122	142	98	50	213-0210.03
<b>c)</b>	<b>Plugs (2 plugs per handle)</b>					213-0207.03	
	<b>Screws</b>						<b>09.05</b>