



EN-801

Incremental Shaft Encoders



Servo

- Up to 5000 ppr
- 200 KHz
- High performance
- 6 channel



Face



Flange

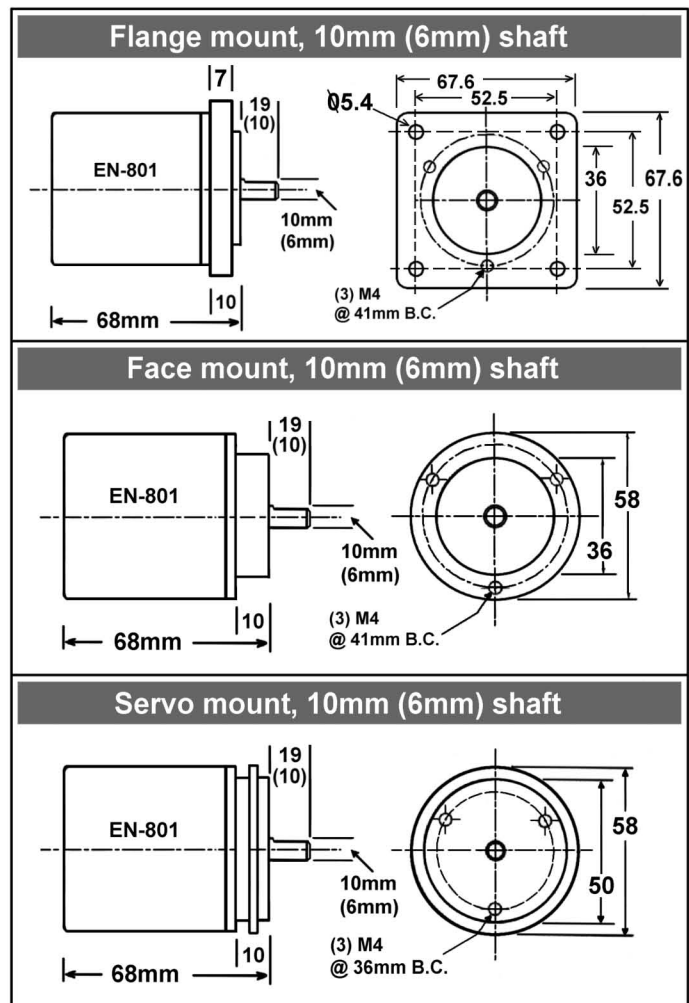
TECHNICAL SPECIFICATION AND DIMENSIONS

EN-801-xxxx-1A	10-30 VDC	10 mm
EN-801-xxxx-1B	5 VDC	10 mm
EN-801-xxxx-1C	5VDC RS422 TTL	6 mm
EN-801-xxxx-1D	5VDC RS422 TTL	6 mm
EN-801-xxxx-2A	10-30 VDC	6 mm
EN-801-xxxx-2B	5 VDC	6 mm

xxxx = ppr

Supply voltage	Option - A	10-30 VDC
Supply voltage	Option - B	5 VDC
Supply voltage	Option - C	10-30 VDC
Supply voltage	Option - D	5 VDC
Driver current		20 mA
Driver 10-30V		RS-422A
Driver 5V		RS-422
Protection rating		IP 66
Maximum speed in RPM		10,000
Maximum frequency		200 KHz
Weight (approx)		300 gms
Cable		2 Metre

FUNCTION	WIRE COLOUR
+ 10-30v DC supply / 5v DC	RED
- Common	BLUE
A	WHITE
A Comp	BROWN
B	PINK
B Comp	BLACK
Marker Pulse	
C	VIOLET
C Comp	YELLOW



European standard size